



Advantages.

Mezzanine Slabs. (Plank)



1. **Manufactured as Per**
 - a. **C.B.R.I. Roorkee Guide Lines.**
 - b. **I.S.456 -2000.**
 - c. **I.S.13990-1994.**



2. **Needs no Machinery for Lifting of Slabs.**



3. **Installation can be completed within very short time period.**



4. **Slab can be utilized immediately after installation.**



5. **Nandadeep Slabs saves construction time to great extend..**

6. **Slabs are easy to Install.**

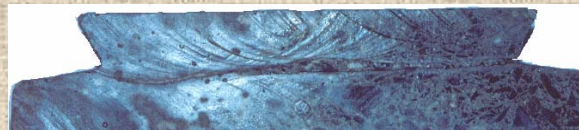


Advantages.



Mezzanine Slabs. (Plank)

7. Nandadeep Precast Slabs are designed to carry Live Load of 2 Kn/sq.m. Without any additional reinforcement.
8. Nandadeep Precast Slabs can carry load upto 10 Kn/sq.m. if additional reinforcement is placed while filling up joints.
9. Nandadeep Precast slabs are waterproof due to less water cement ratio.
10. Nandadeep Precast slabs can be installed on steel girders or even Nandadeep Precast Beams.





Advantages.

Mezzanine Slabs. (Plank)



11. Distribution Reinforcement is welded to main reinforcement to give better behavior of combined action of concrete and Reinforcement.



12. No Plaster is required from inner side of Nandadeep Precast Slab. This will save money and time.

13. Reinforcement in Nandadeep slab is provided with proper covers to increase its durability.

14. No Curing from inner side is required this helps early utilization of construction.



Advantages.

Mezzanine Slabs. (Plank)



15. Nandadeep Slabs are manufactured using M30 Grade Concrete to give Durable and Stronger slabs than cast-in situ slabs.

16. Nandadeep Slabs are provided with interlocking system to avoid the independent displacement of slabs.

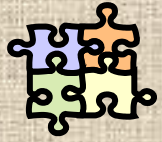




Advantages.

Mezzanine Slabs. (Plank)

| Y | Qutity | Nandadeep | Ply wood | Stone Flooring | Cement sheets |
|----|------------------------------|-----------|-----------|----------------|---------------|
| 1 | Fire resistant | Yes | No | Yes | Yes |
| 2 | Bending strength | Yes | Partially | No | No |
| 3 | Anti termite | Yes | No | Yes | Yes |
| 4 | Less requirement to support | Yes | No | No | No |
| 5 | Sound on use | No | Yes | No | Yes |
| 6 | Requires maintance | No | Yes | No | No |
| 7 | Flooring possible | Yes | No | Yes | No |
| 8 | High load carrying capacity. | Yes | No | No | No |
| 9 | Easy to install | Yes | Yes | No | Yes |
| 10 | Economical | Yes | ? | ? | ? |



Sizes.

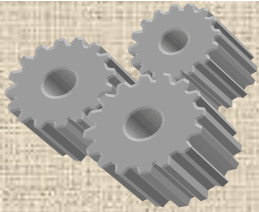
Mezzanine Slabs. (Plank)

Nandadeep Manufactures Slab plank in following sizes.

| Sr. | Item Code | Description | Aproximate Weight |
|-----|-----------|-----------------------------------|-------------------|
| 1 | SP3010 | Slab Planks of 3' Length 1' Width | |
| 2. | SP5010 | Slab Planks of 5' Length 1' Width | 57 kg |
| 3. | SP6010 | Slab Planks of 6' Length 1' Width | 68 kg |

[Can be made available as per your requirement on Bulk order.]

*Due to continuous Research and development specification and new shapes and sizes are developed. Kindly get detail before placing order. Also take all necessary care for handling, transportation and erection/ installation of Nandadeep slabs and beams. It is advised to wear necessary safety equipment to avoid accident. Nandadeep Building Center is not responsible to any damages, losses, or accidents. Our responsibility remains limited to replacement of material purchased from us only.



Technical Details.

Mezzanine Slabs. (Plank)

1. Concrete

1. M30

2. Reinforcement

1. Main As Per Design
2. Distribution 6mm \varnothing @ 300 mm c/c welded to main reinforcement.

3. Load carrying capacity

1. 2Kn/Sq.M. (200kg/Sq.m) without any additional reinforcement.
2. Can be increased upto 10 Kn/Sq.M. (1000Kg/Sq.M.) with additional reinforcement.

4. Bearing at end required.

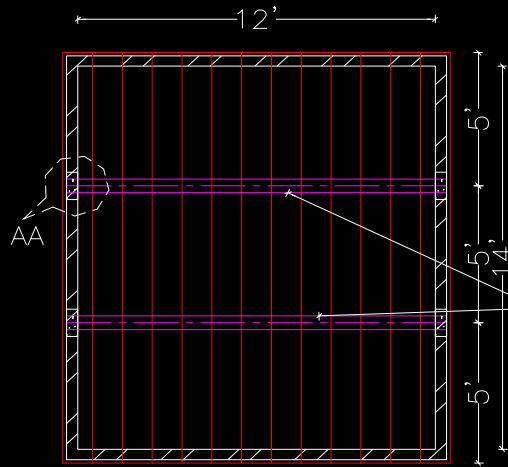
1. 25mm in case of steel structure.
2. 35mm in case of Brick masonry.
3. [For detail calculation Click here.](#)





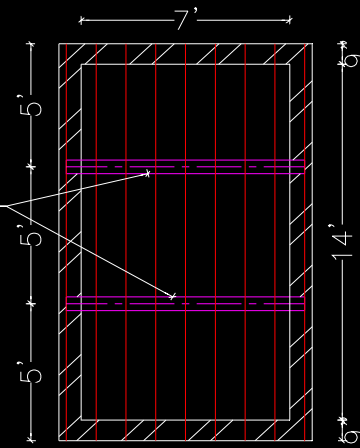
Installation

Mezzanine Slabs. (Plank)

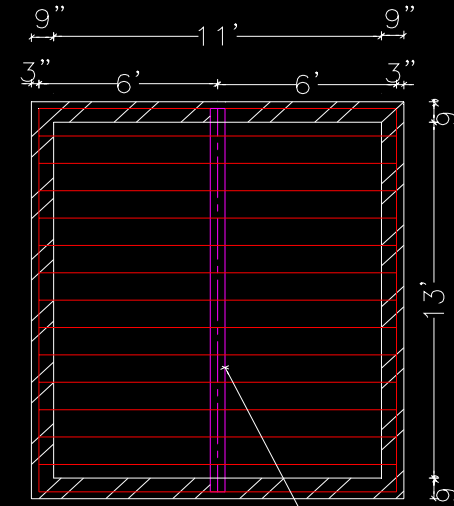


PLAN
(12'0"X13'0")

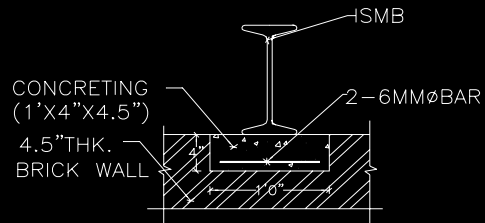
ISMB100
(3"X4")



PLAN
(7'0"X13'0")



PLAN
(11'0"X13'0")



DETAIL AT -AA
(CONCRETE PAD BELOW ISMB)

LEGENDS:-

- * PRE-CAST SLAB PLANKE SHOWN IN █
- * ISMB BEAM SHOWN IN █
- * BRICK WALL SHOWN IN

DETAILS ALINMENTS OF PRE-CAST BEAM & SLAB.FOR,BHAVESH THAKKAR AKOLA.



Customers

Mezzanine Slabs. (Plank)

We have many valuable customers for our Plank Slab Mezzanines. Some of them are as following.

| | | | |
|----|-----------------------------|---------------------------------|-------------|
| 1. | Samsolite show Room | Nirala Bazar ,Aurangapura | Aurangabad |
| 2 | Jain Sweets. | Kranti Chowk, | Aurangabad |
| 3 | Mahavir Automobiles | Ahinsa Complex, Jalna Road, | Aurangabad. |
| 4. | Mahabir Aluminium and Glass | Apna Bazar, Jalna Road, | Aurangabad |
| 5. | Sheetal Furnitures | Cidco | Aurangabad. |
| 6. | Videocon Guest House | Kanchanwadi | Aurangabad. |
| 7. | Pharmacitical Unit | Near Railway gate, Newasa Road. | Nasik |
| 8. | Hotel Sai | | Jalna |
| 9. | Tapadiaya | Chate Galli, Mangalwar Peth, | Solapur |
| 10 | Mr.Gupta Santosh | Cantt. Place, Aurangbad. | Aurangabad |
| 5 | Kakani Brothers | M.G.Road, | Akola. |

And many more..



Economy

Mezzanine Slabs. (Plank)

The cost of Nandadeep Plank slab is varies case to case depending upon the site situation, supports required and working factors. It is always recommended to get the actual estimates done from your Consultant. We also provide assistance service to work out the actual cost Nandadeep slabs.

In Maximum cases Nandadeep Slabs are found to be 25 to 40% cheaper than other solutions available in market due to following points.

- 1. Nandadeep slabs don't need any plaster from bottom side.**
- 2. Supports are required at the interval of 5 to 6' only hence saving on a/c of steel.**
- 3. If spans are less than 11 ft Nandadeep beams can be used and these beams are much cheaper than steel sections of equivalent capacity.**
- 4. These slabs don't need any shuttering for erection.**
- 5. These slabs can be used immediately after installation.**



Click here for work outing the cost comparison.



Site Kakani Bandhu, M.G.Road, Akola.

Ar. Shri Manish Bhutada.



Site Kakani Bandhu, M.G.Road, Akola.

Ar. Shri Manish Bhutada.

Mezzanine Slabs. (Plank)

Site Pharmasitcal Unit at Nasik



Mezzanine Slabs. (Plank)



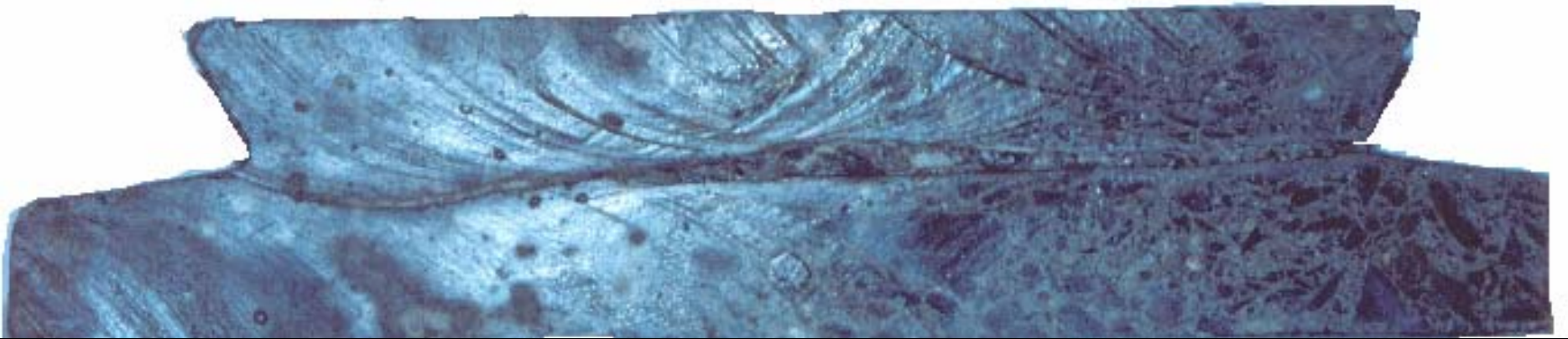
Site Pharmasitcal Unit at Nasik
Lifting of Planks Manually



Mezzanine Slabs. (Plank)

**Industrial mezzanine Slab
At Aurangabad.**

Mezzanine Slabs. (Plank)



Cross Section of Plank Slab.

Stage at Homeopathic Medical college Akola

Mezzanine Slabs. (Plank)



Unfinished view of Plank Slab

Mezzanine Slabs. (Plank)



Plank Slab resting of Steel Girders.

Mezzanine Slabs. (Plank)

